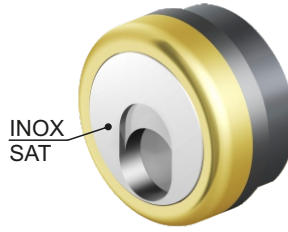




**MR500-25D1P**  
**MR503-25D1P**  
X ATRA



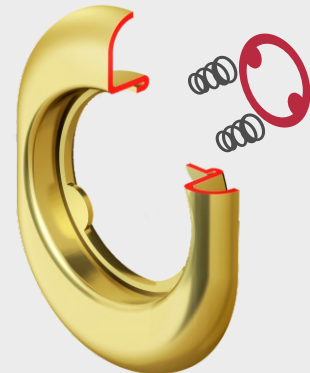
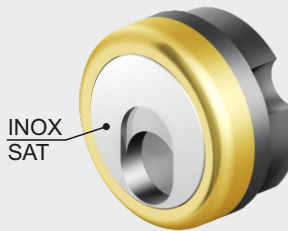
KMOP3GMR



**MR500F-25D1**  
**MR503F-25D1**  
X ATRA



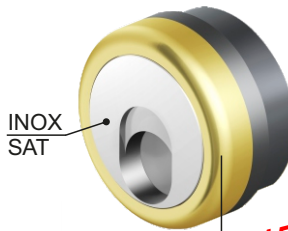
KMOP3GMR



PLACCA ANTISTRAPPO  
AUTOREGOLABILE A MOLLA



KMOP3GMR

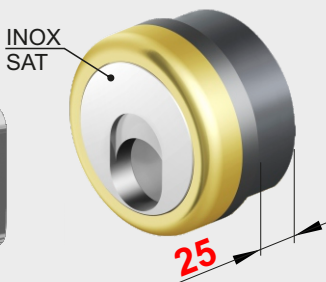


H 15  
H 20  
H 25

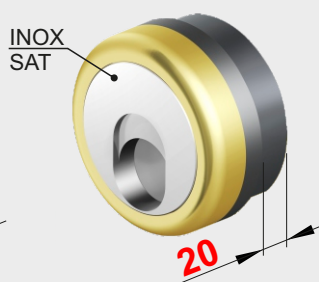
MR500Y-15D1  
MR500Y-20D1  
MR500Y-25D1 | MR503Y-25D1  
X ATRA



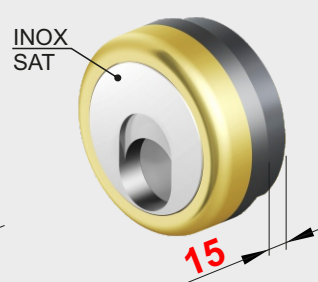
KMOP3GMR



**MR500-25D1**  
**MR503-25D1**  
X ATRA

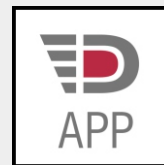
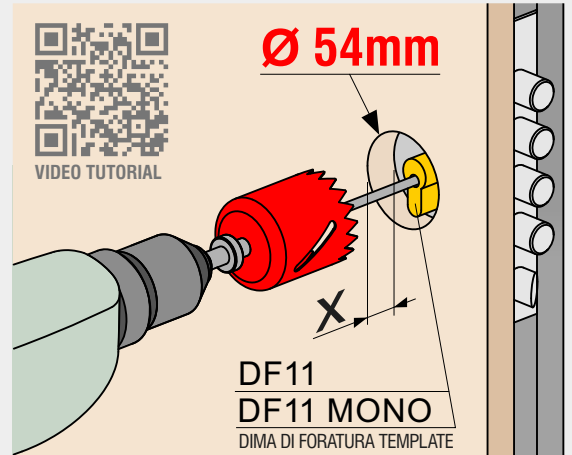
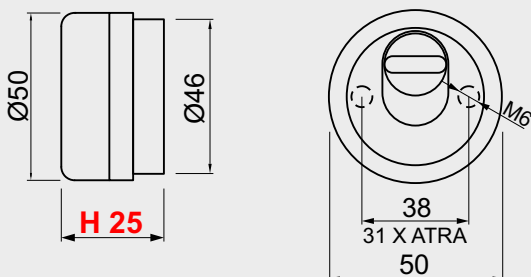
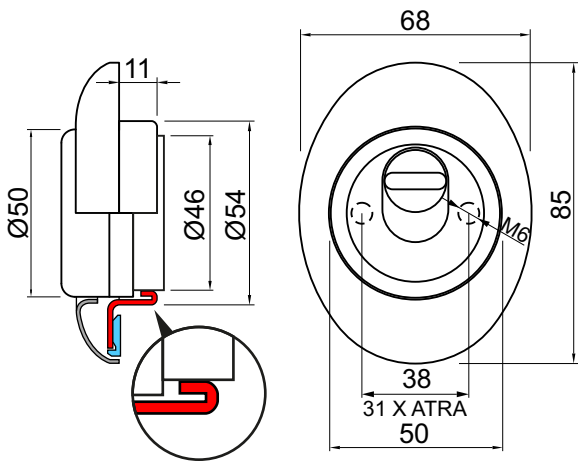
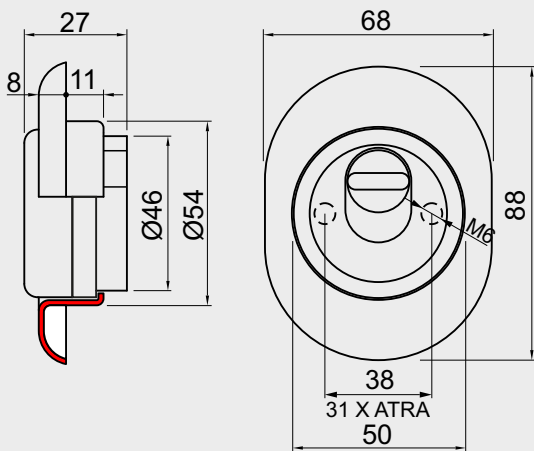
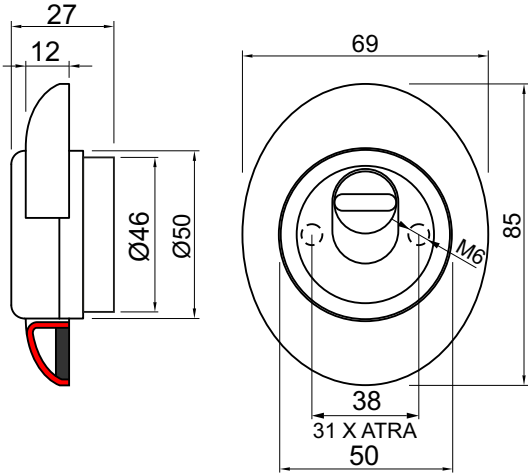


**MR500-20D1**  
**MR503-20D1**  
X ATRA



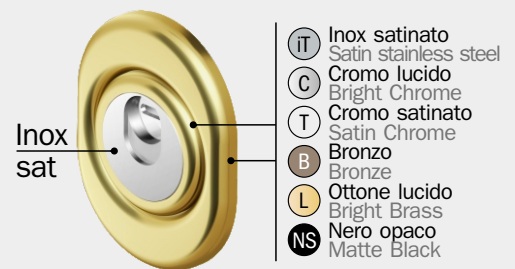
**MR500-15D1**  
**MR503-15D1**  
X ATRA





**CONTROLLO ACCESSI**  
*Access control*


**FINITURE FINISHES**





**MR500WP**  
**MR503WP**  
X ATRA

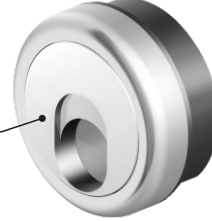
MAGNETIC  
KEY



KMOP3GMR



INOX  
SAT



**MR500KP**  
**MR503KP**  
X ATRA

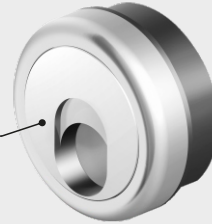
MAGNETIC  
KEY

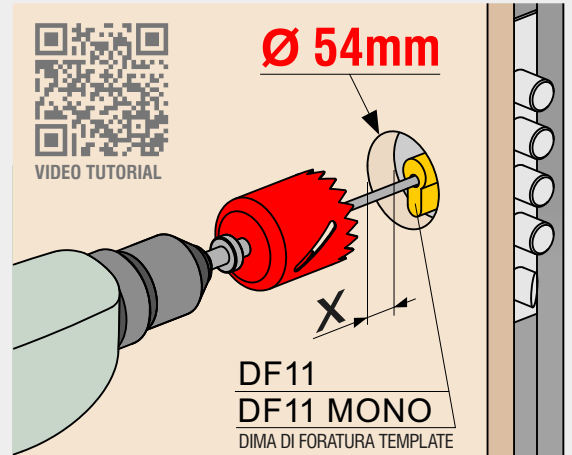
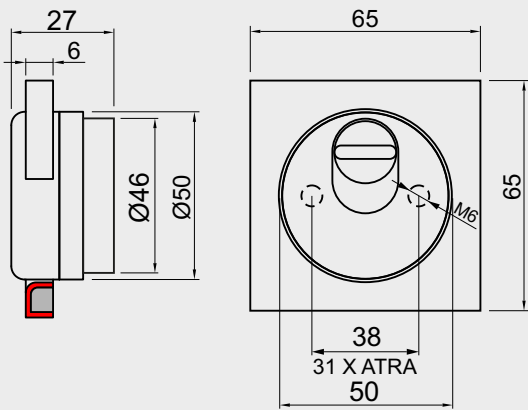
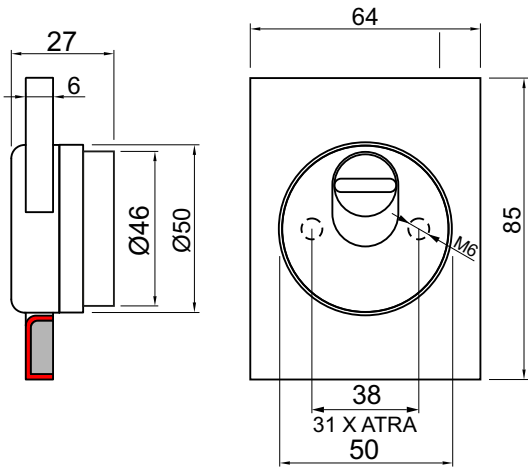


KMOP3GMR



INOX  
SAT





**CONTROLLO ACCESSI**  
*Access control*


**FINITURE FINISHES**

