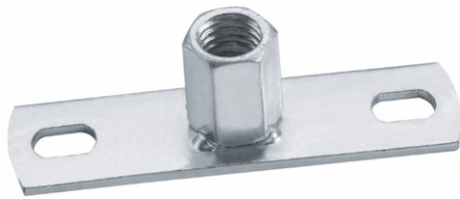


**2.7 PF-ZN**

**Zinc plated flat bar for fixation**



**Properties**



Steel

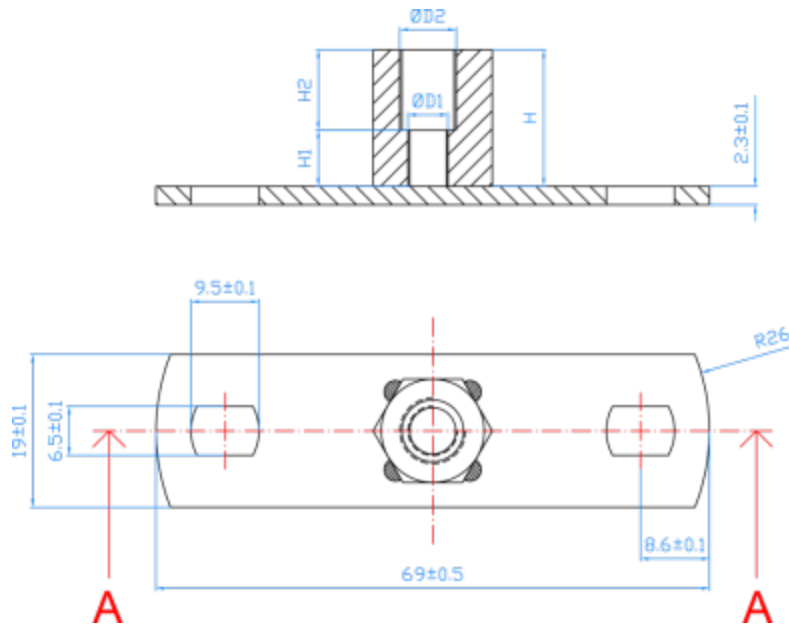


Zin Plated coating

**Sizes**

CODE	D1	D2	H	H1	H2
PFZNM0800	M8	--	7,5	7,5	--
PFZNM0810	M8	M10	17	7	10
PFZNM1000	--	M10	9	--	9

**DRAWING**



**MAXIMUM RECOMMENDED LOAD [kg]**

100