

MATERIAL MATERIAL

**INOX
AISI 304**

FINITURA FINISH

F60

INOX SATINATO SATIN S. STEEL



102K.AL01.60

ALZANTE

LIFT AND SLIDE
WINDOW HANDLE



102K.AL04.60

ALZANTE
FORO CILINDRO

LIFT AND SLIDE WINDOW HANDLE
WITH PLATE CYLINDER HOLE



102K.AL02.60

ALZANTE CON NICCHIA

LIFT AND SLIDE WINDOW HANDLE
WITH FLUSH NICHE



102K.AL05.60

ALZANTE FORO CILINDRO
CON NICCHIA

LIFT AND SLIDE WINDOW HANDLE
WITH PLATE CYLINDER HOLE
AND FLUSH NICHE



102K.AL03.60

COPPIA ALZANTI

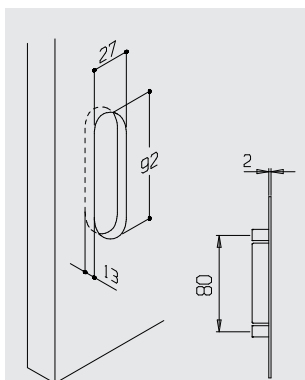
PAIR OF LIFT AND SLIDE
WINDOW HANDLES



102K.AL06.60

COPPIA ALZANTI
FORO CILINDRO

PAIR OF LIFT AND SLIDE
WINDOW HANDLES
WITH PLATE CYLINDER HOLE



FRESATURA PER NICCHIA
MILLING FOR FLUSH HANDLE

